

Assembly Instructions



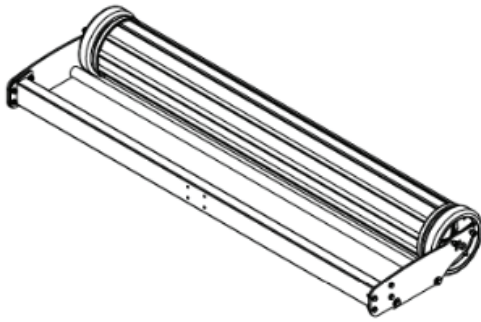
ATMOS

Bluestreakequipment MAGNETICS
APPLICATION DRIVEN DESIGN

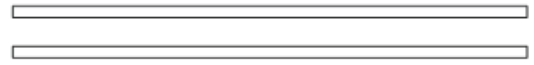
Bluestreak Equipment
1645 Hwy #3, Delhi, Ontario, Canada N4B 2W6

What's in the Box - Parts

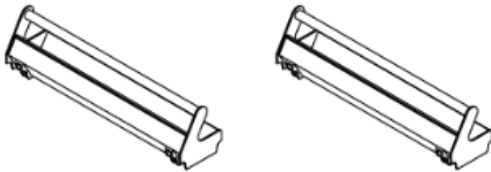
AA) Atmos Lower Frame, Drum and Magnet Assembly - 1 pc



AD) Atmos Upper Frame Rods - 2 pcs



AB) Atmos Debris Bins - 2 pcs



AE) Atmos 6 Inch Caster Wheel - 1 pc



AF) Atmos Right Caster Bracket - 1 pc



AC) Atmos Tongue - 1 pc



AG) Atmos Left Caster Bracket - 1 pc



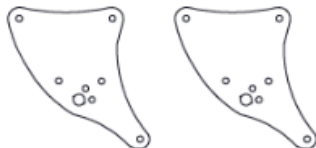
AH) Atmos Upper Handles - 2 pcs



AJ) Atmos Trailer Tongues - 2 pcs



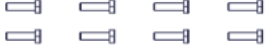







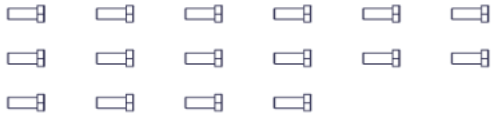









Ai) Atmos Upper End Plates - 2 pcs






AK) Atmos Caster Spacer - 1 pc



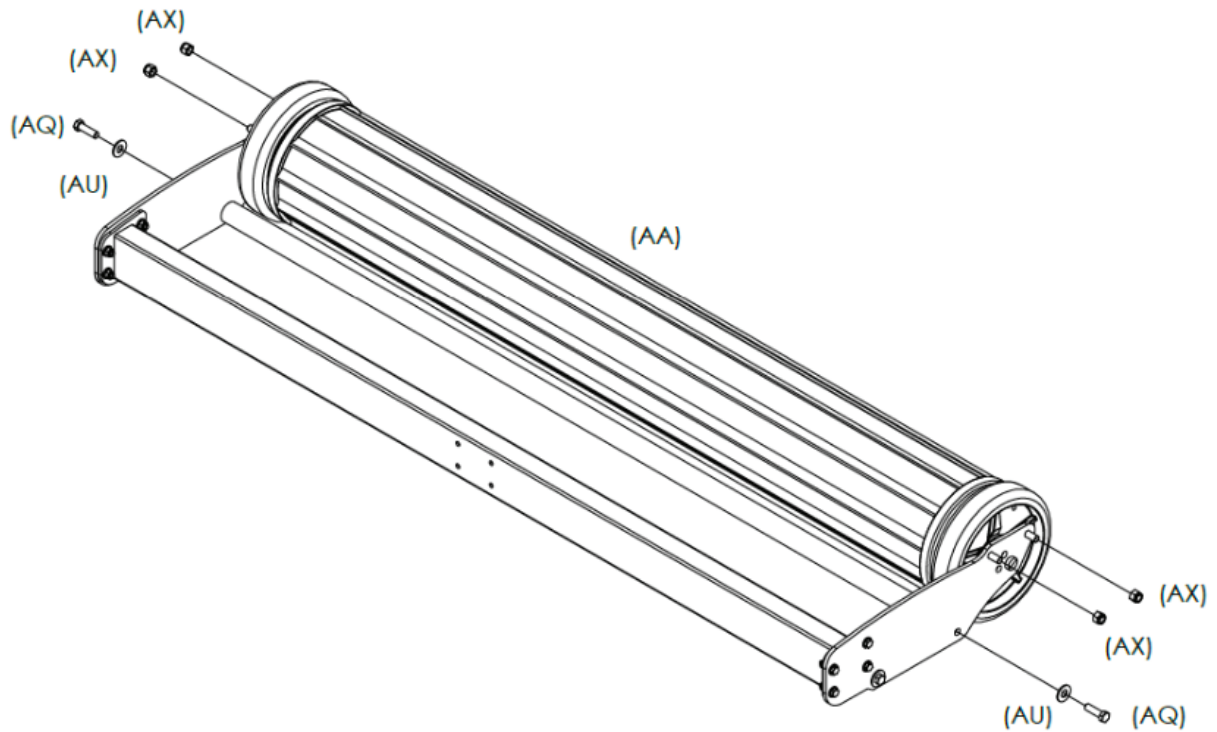
What's in the Box - Fasteners & Small Parts

<p>AL) 1/4" x 1" Hex Bolts - 8 pcs</p> 	<p>AR) 3/8" x 2 1/2" Hex Bolts - 2 pcs</p> 
<p>AM) 1/4" x 1 1/4" Hex Bolts - 4 pcs</p> 	<p>AS) 1/2" x 5 1/2" Hex Bolts - 1 pc</p> 
<p>AN) 1/4" x 2 1/4" Hex Bolts - 4 pcs</p> 	<p>AT) 1/4" Washers - 36 pcs</p> 
<p>AO) 1/4" x 5 1/2" Hex Bolts - 2 pcs</p> 	<p>AU) 3/8" Washers - 10 pcs</p> 
<p>AP) 3/8" x 1" Hex Bolts - 16 pcs</p> 	<p>AV) 1/2" Washers - 2 pcs</p> 
<p>AQ) 3/8" x 1 1/4" Hex Bolts - 2 pcs</p> 	
<p>AW) 1/4" Nyloc Nuts - 18 pcs</p> 	<p>BA) Tri Knobs - 4 pcs</p> 
<p>AX) 3/8" Nyloc Nuts - 6 pcs</p> 	<p>BB) Handle Stopper with Sleeve - 1 pc</p> 
<p>AY) 1/2" Nyloc Nuts - 1 pc</p> 	<p>BC) UHMW Bushing - 2 pcs</p> 
<p>AZ) 1/2" Spring Lock Washer - 1 pc</p> 	

What's in the Box - Tools Needed

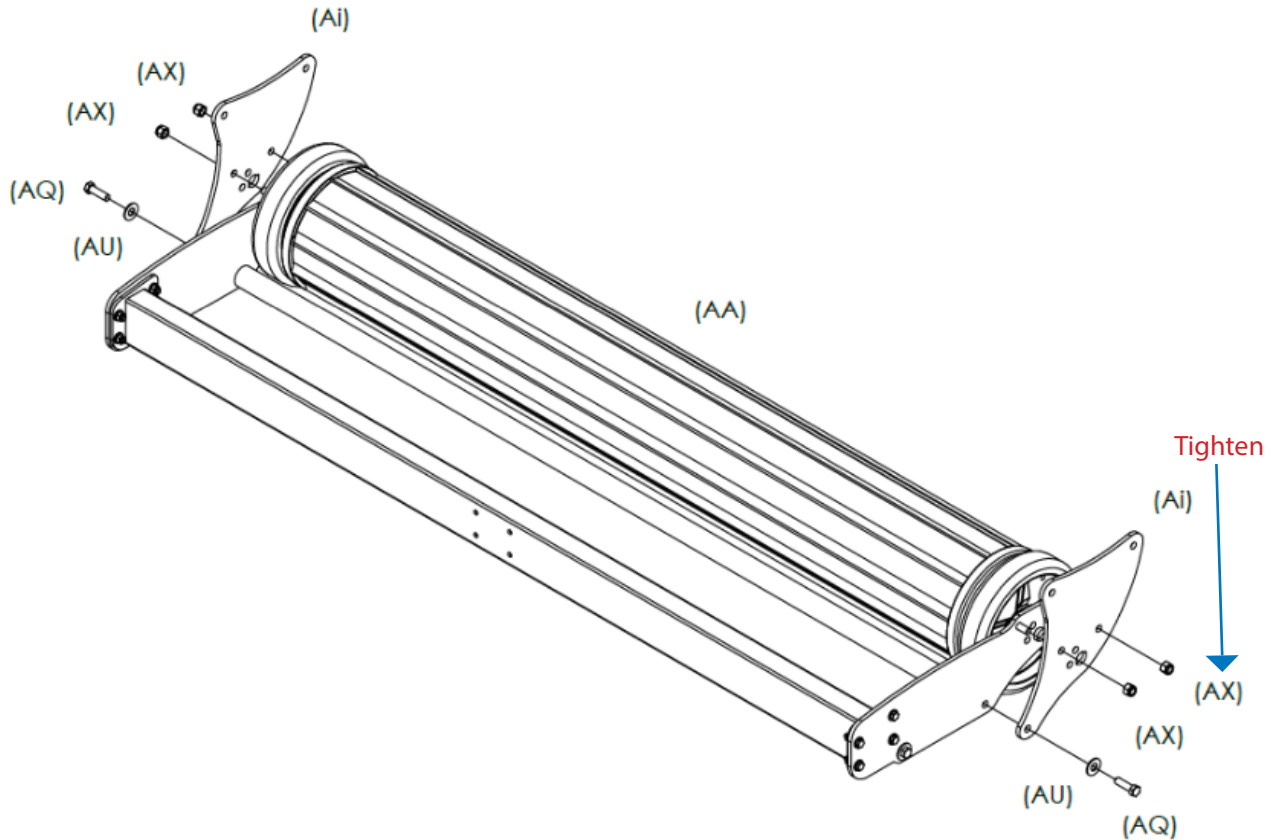
<p>7/16" Wrench - 2 pcs</p> 	<p>9/16" Wrench - 2 pcs</p> 	<p>3/4" Wrench - 2 pcs</p> 
---	---	--

Step 1. Remove Bolts and Nuts from Lower End Plates



- (1) Remove Bolts and Nuts from Lower End Plates
 - a. Remove 1 pc 3/8" x 1 1/4" Hex Bolt (Item AQ) and its 3/8" Washer (Item AU) from one lower frame rod.
 - b. Remove 2 pcs 3/8" Nyloc Nuts (Item AX) from lower end plate.
 - c. Repeat for opposite side.

Step 2. Attach Upper End Plates to Lower End Plates

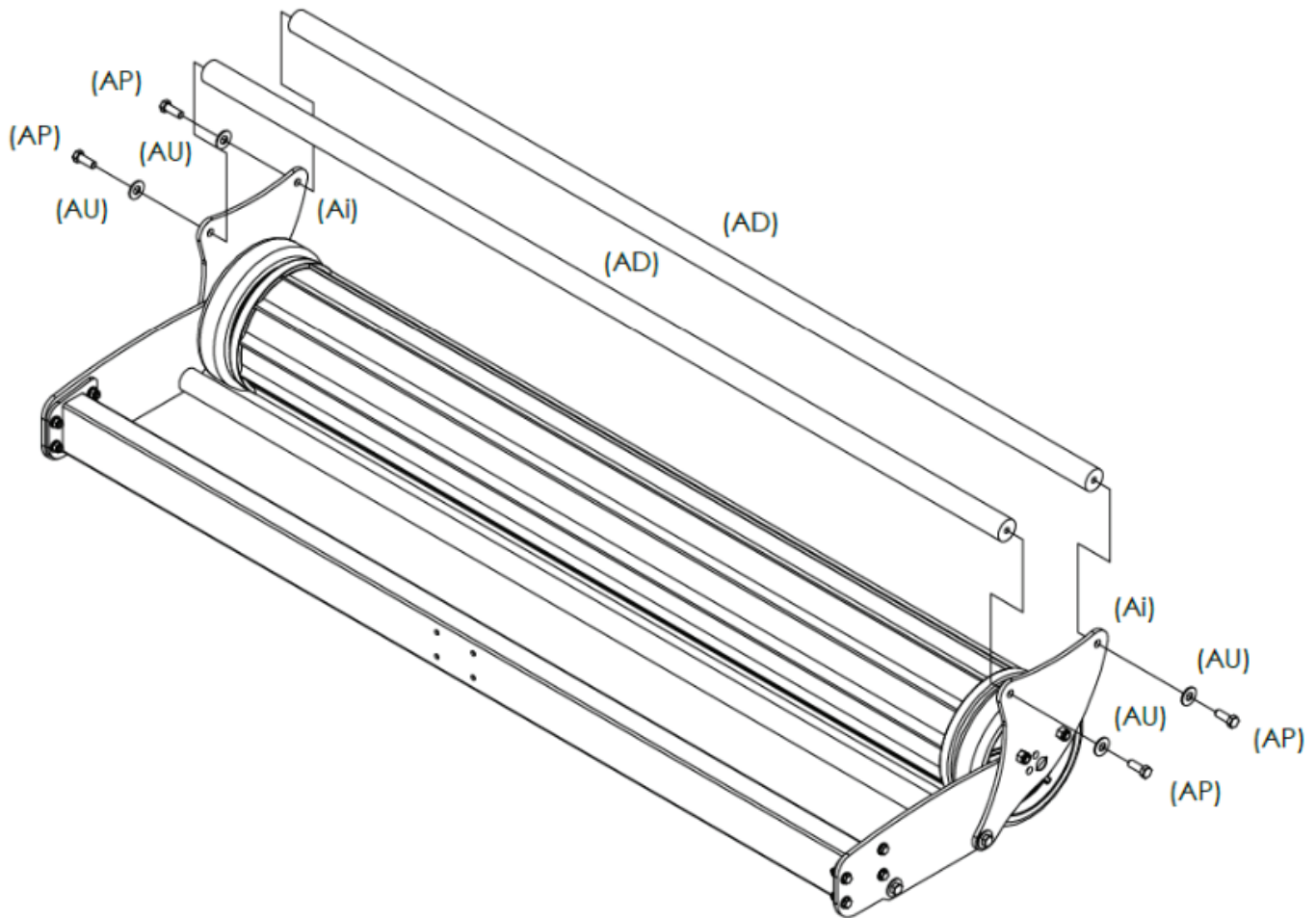


- (1) Attach Upper End Plates to Lower End Plates
 - a. Slide the upper end plate (Item Ai) onto the axle.
 - b. Attach upper end plate (Item Ai) to lower end plate on main assembly (Item AA) using 1 pcs 3/8" x 1 1/4" Hex Bolt (Item AQ), 1 pc 3/8" Washer (Item AU), and 2 pcs 3/8" Nyloc Nuts (Item AX). Those are the bolts and nuts removed in the last step.
 - c. Tighten the 2 pcs Nyloc Nuts (Item AX). But do not tighten the bolt (Item AQ) on the lower frame.
 - d. Repeat for the opposite side.

Note: Try to align the holes on upper and lower end plates before tightening the nyloc nuts.

Note: Do not tighten other bolts until after step 4.

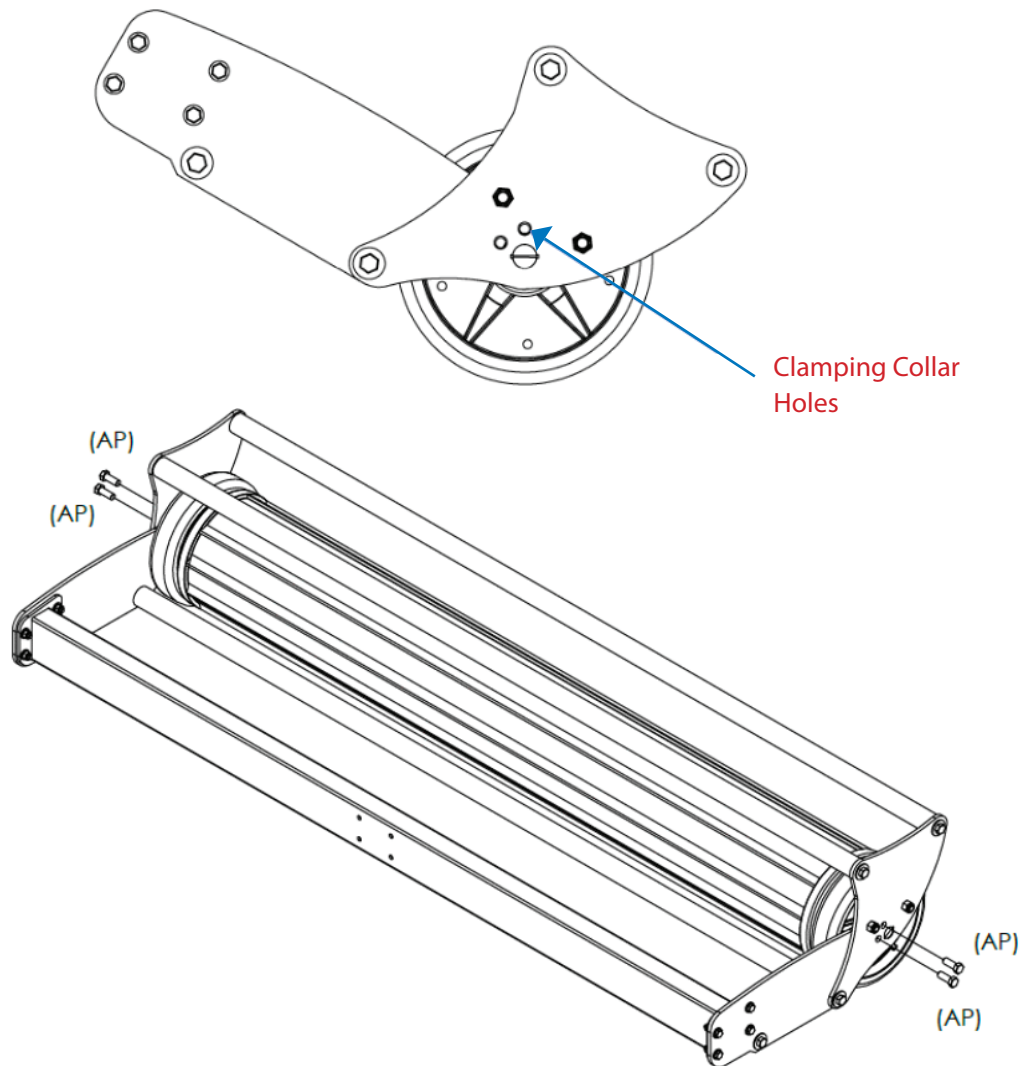
Step 3. Attach Upper Frame Rods



- (1) Attach Upper Frame Rods
 - a. Slide the 2 pcs upper frame rods (Item AD) between upper end plates (Item Ai). Attach using 4 pcs 3/8" x 1" Hex Bolts (Item AP) and 4 pcs 3/8" Washer (Item AU).

Note: Do not tighten these bolts until after step 4.

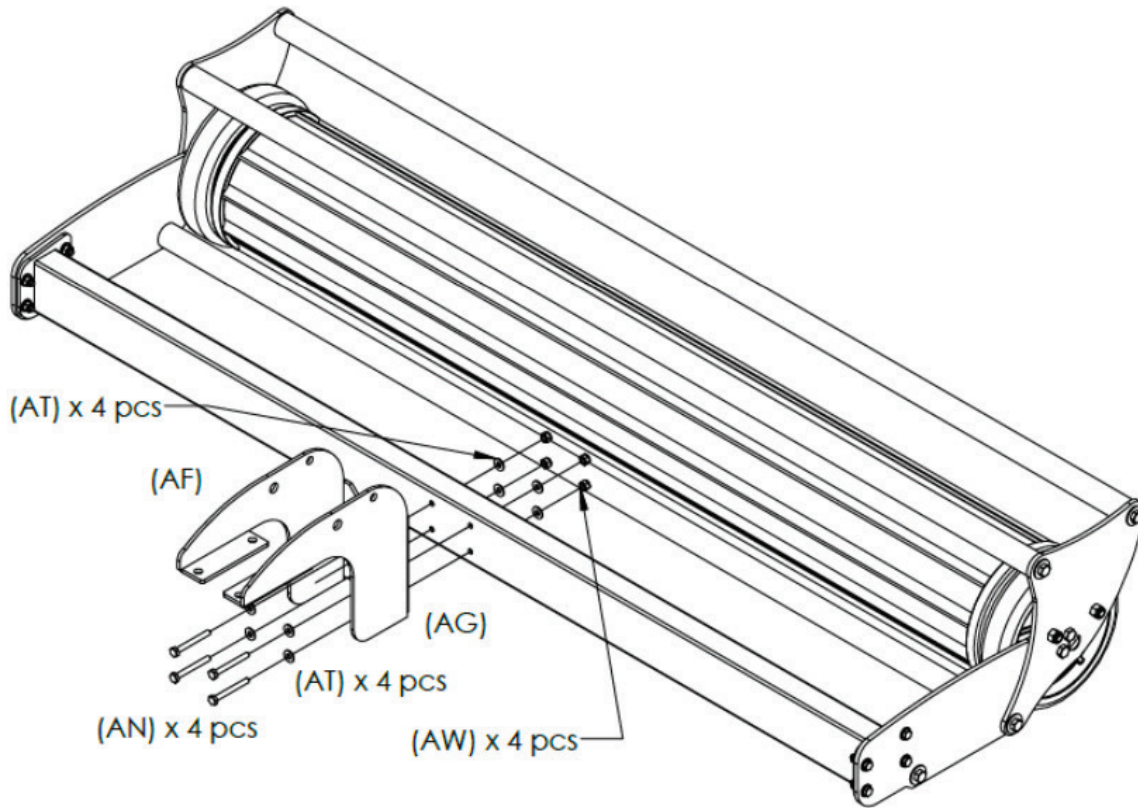
Step 4. Bolt Clamping Collar



- (1) Bolt Frame to Clamping Collars
 - a. Lift the frame at the front, so that the 2 holes on the end plates align with the 2 holes on the clamping collar on each side.
 - b. Bolt the frame to clamping collar using 2 pcs 3/8" x 1" Hex Bolts (Item AP).
 - c. Repeat for the other side. Though at this time the holes should already be aligned.

Note: Tighten all the bolts.

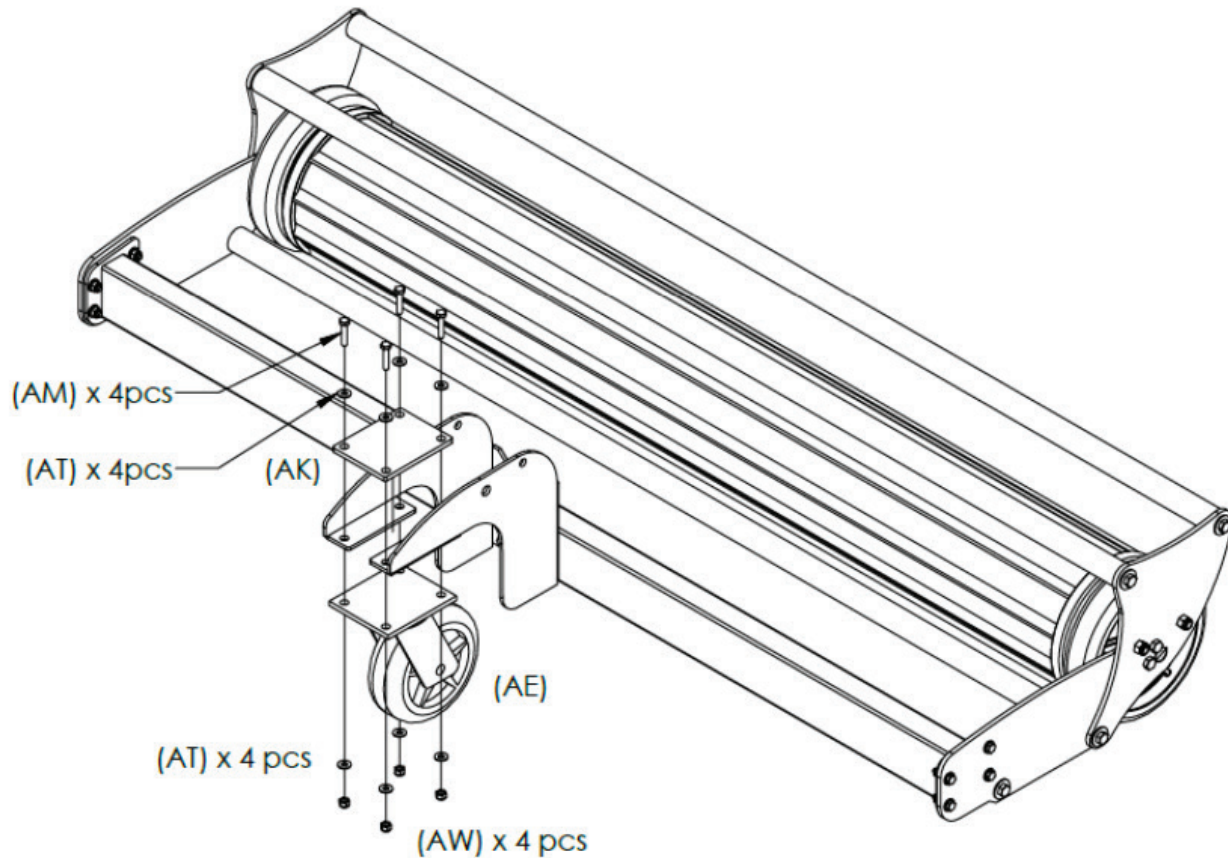
Step 5. Attach Left and Right Caster Brackets



- (1) Attach Left and Right Caster Brackets
 - a. Attach left (Item AG) and right (Item AF) caster brackets to front frame using 4 pcs 1/4" x 2 1/4" Hex Bolts (Item AN), 8 pcs 1/4" Washers (Item AT), and 4 pcs 1/4" Nyloc Nuts (Item AW).

Note: Do not tighten these bolts until after step 10.

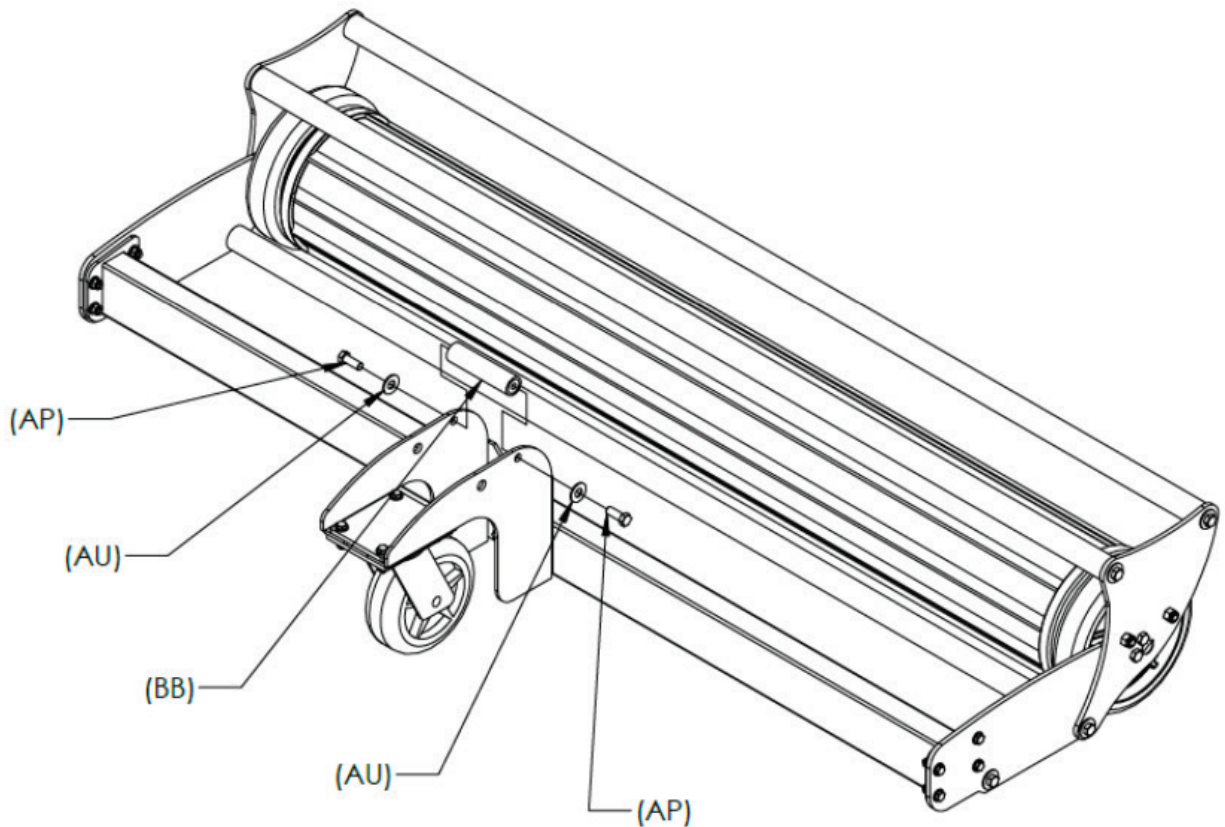
Step 6. Attach Caster Wheel and Spacer onto the Brackets



- (1) Attach Caster Wheel and Spacer onto the Brackets
 - a. Attach 6" caster wheel (Item AE) and caster spacer (Item AK) to the caster brackets using 4 pcs 1/4" x 1 1/4" Hex Bolts (Item AM), 8 pcs 1/4" Washers (Item AT), and 4 pcs 1/4" Nyloc Nuts (Item AW).

Note: Do not tighten these bolts until after step 10.

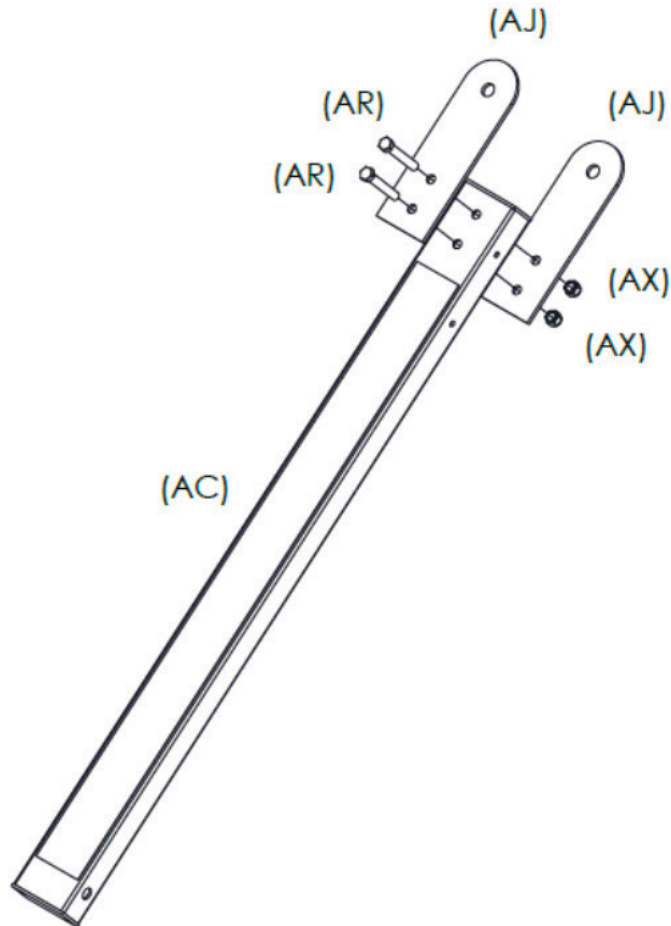
Step 7. Attach Handle Stopper



- (1) Attach Handle Stopper
 - a. Attach handle stopper (Item BB) between caster brackets using 2 pcs 3/8" x 1" Hex Bolts (Item AP), and 2 pcs 3/8" Washers (Item AU).

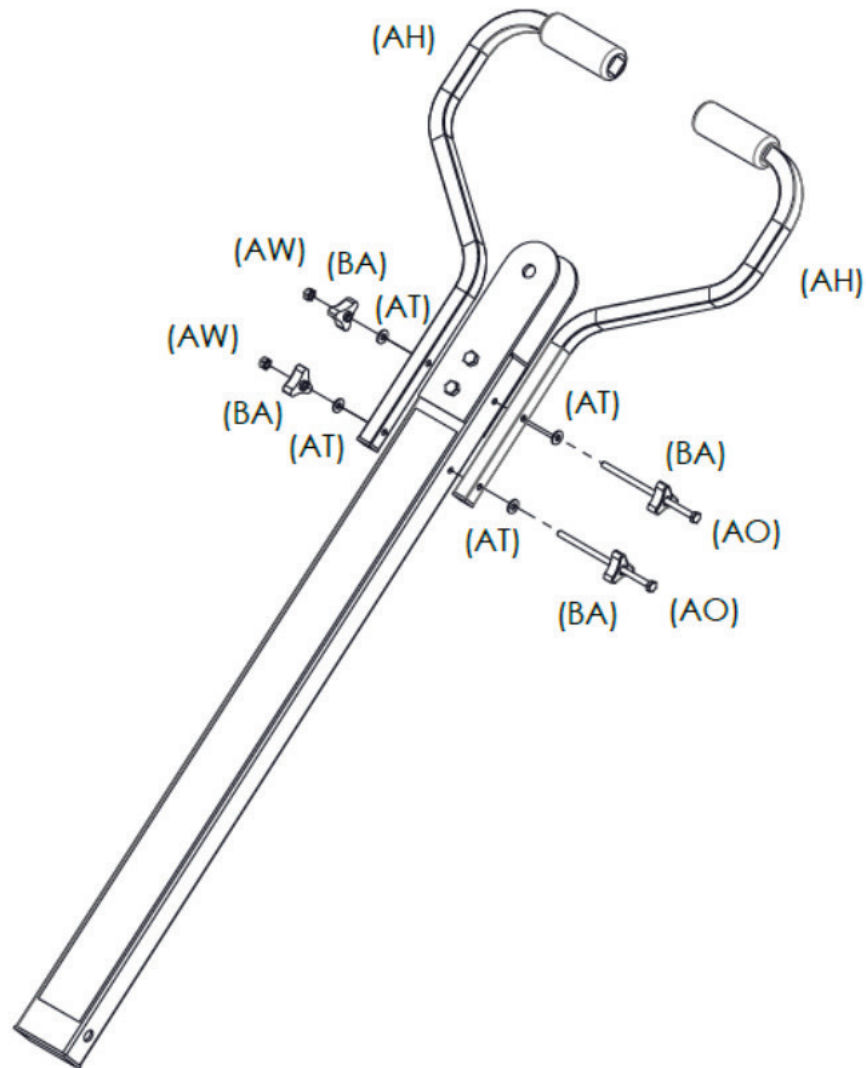
Note: Do not tighten these bolts until after step 10.

Step 8. Bolt Trailer Tongues to Tongue



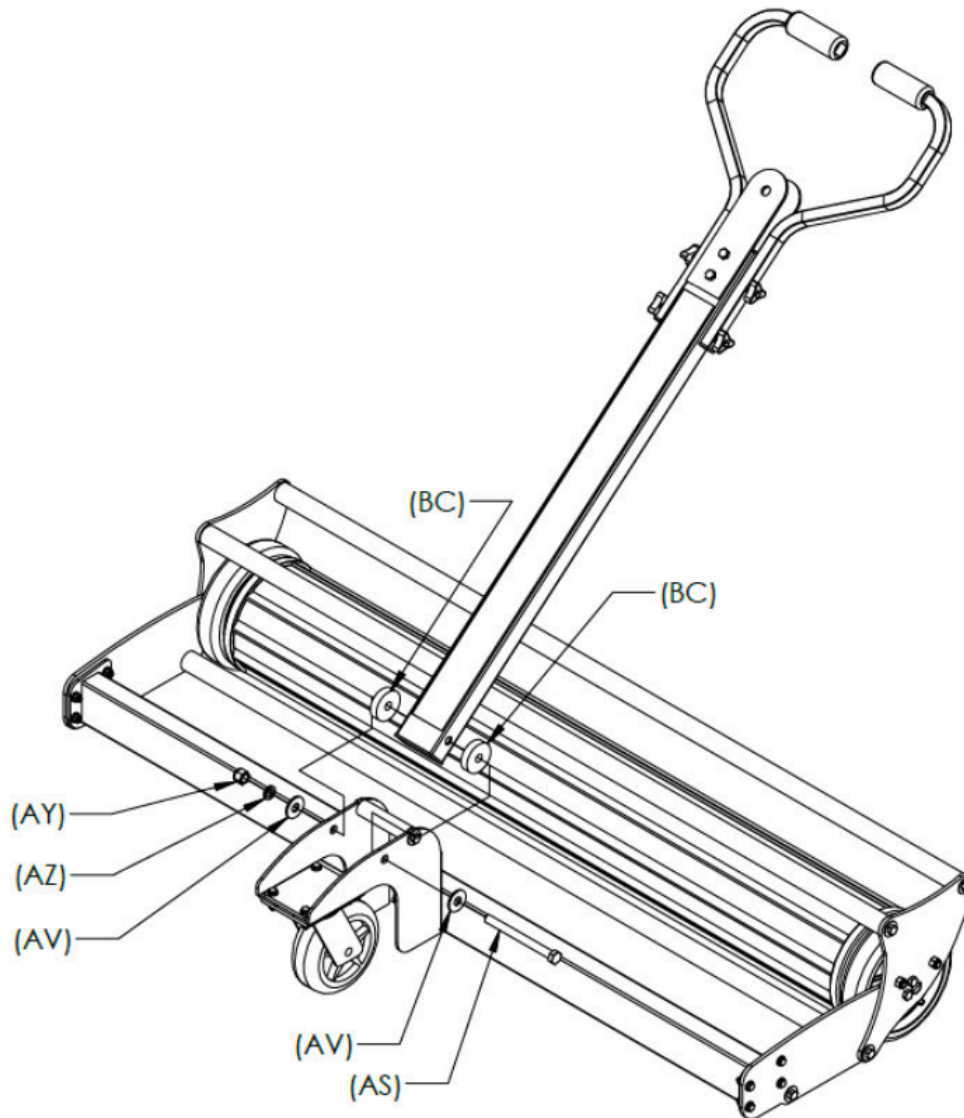
- (1) Bolt Trailer Tongues to Tongue
 - a. Bolt 2 pcs of trailer tongues (Item AJ) to tongue (Item AC) using 2 pcs 3/8" x 2 1/2" Hex Bolts (Item AR), and 2 pcs 3/8" Nyloc Nuts (Item AX).

Step 9. Attach Upper Handles



- (1) Attach Upper Handles
 - a. Attach upper handles (Item AH) to tongue assembly using 2 pcs 1/4" x 5 1/2" Hex Bolts (Item AO), 4 pcs 1/4" Washers (Item AT), 2 pcs 1/4" Nyloc Nuts (Item AW), and 4 pcs Tri Knobs (Item BA).

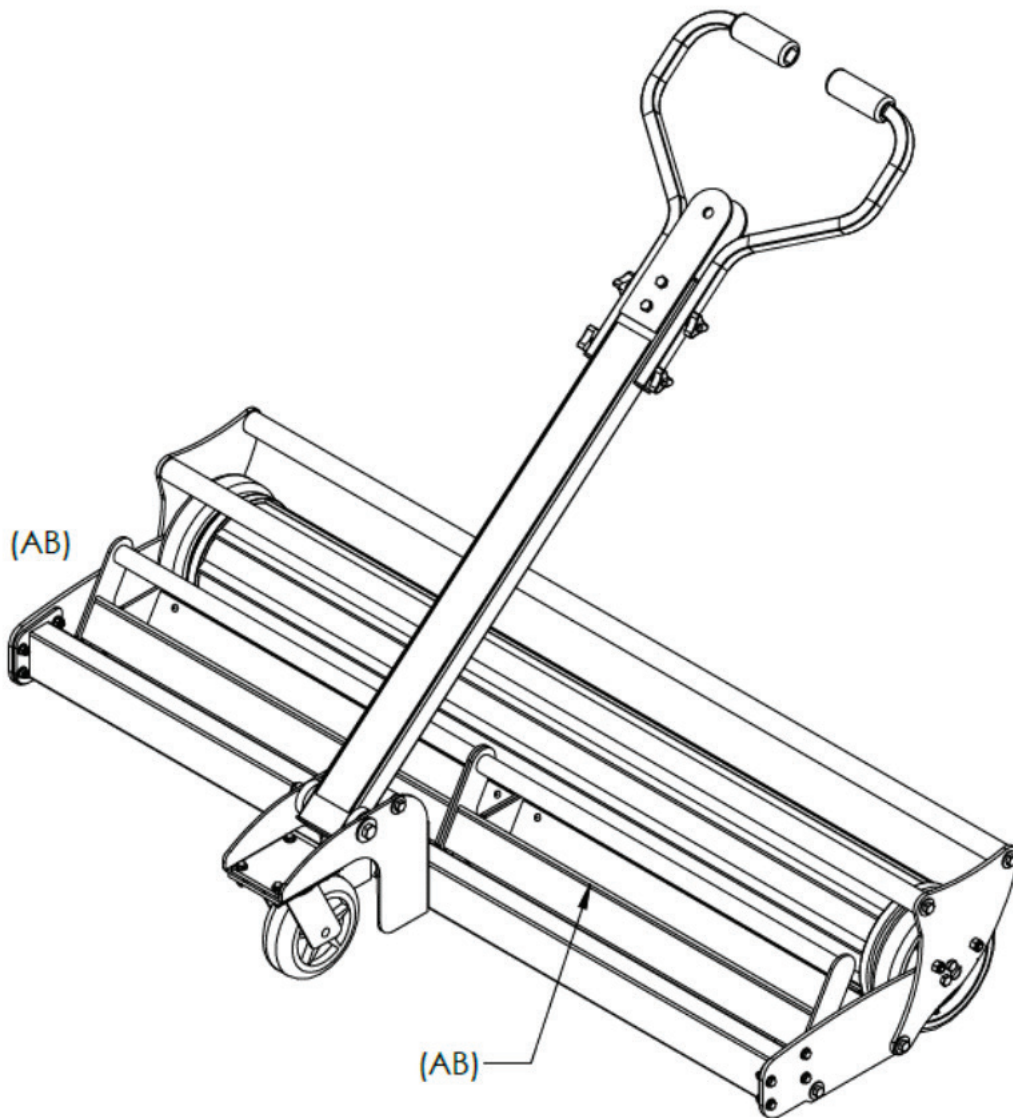
Step 10. Attach Tongue Assembly with Bushings



- (1) Attach Tongue Assembly with Bushings
 - a. Attach tongue assembly and 2 pcs lower tongue bushings (Item BC) to caster brackets using 1 pc 1/2" x 5 1/2" Hex Bolt (Item AS), 2 pcs 1/2" Washers (Item AV), 1 pc 1/2" Spring Lock Washer (Item AZ), and 1 pc 1/2" Nyloc Nut (Item AY).

Note: Tighten all the bolts.

Step 11. Set Debris Bins in Place



- (1) Set Debris Bins in Place
 - a. Set the debris bins (Item AB) in front of the magnetic sweeper on top of the lower frame rods.

Bluestreak Equipment • 1645 Hwy #3, Delhi, Ontario, Canada N4B 2W6

www.blustreakequipment.com